

PLEASE: CALL US IF YOU HAVE DIFFICULTY BEFORE YOU RETURN THIS TO THE STORE. PARTS HOT LINE PHONE: 574-848-7491

77021 TRUCK MOUNTING INSTRUCTIONS

- Attach the hitch to your 2" receiver hitch on your vehicle. (Truck hitch pin not included)
- Remove the hitch pins from the spreader frame and mount the spreader to the hitch.
- Connect to 12-volt power source (lighter or wire to battery) then attach pull cord to rope loop on gauge assembly.

77011 UNIVERSAL MOUNTING INSTRUCTIONS

- Attach the mounting bracket to the front or rear vertical rack on your ATV, or on any flat vertical surface using the U-bolts included or hardware you source that will hold 500lbs. of shear force. The optional holes will allow for different brands of racks, or vehicles, and positioning.
- Make sure that the spreader sits level to the ground or tipped up slightly at the rear for best performance.
- Remove the hitch pins from spreader and mount to mounting bracket.
- Connect to 12-volt power source (lighter or wire to battery) then attach pull cord to rope loop on gauge assembly.

77012 3-POINT HITCH MOUNTING INSTRUCTIONS

- Attach the mounting bracket to the lift arms on your tractor, then attach the top-link and level.
- Make sure that the spreader sits level to the ground or tipped up slightly at the rear for best performance.
- Remove the hitch pins from spreader and mount to mounting bracket.
- Connect to 12-volt power source (lighter or wire to battery) then attach pull cord to rope loop on gauge assembly.

77013 GATOR® MOUNTING INSTRUCTIONS

- Attach the mounting bracket to the rear vertical frame on your Gator using bolts included or hardware you source that will hold 500lbs. of shear force. ***This mount is design for all but the Electric & Turf Gator®***
- Make sure that the spreader sits level to the ground or tipped up slightly at the rear for best performance.
- Remove the hitch pins from spreader and mount to mounting bracket.
- Connect to 12-volt power source (lighter or wire to battery) then attach pull cord to rope loop on gauge assembly.

OPERATING INSTRUCTIONS

Obtain proper setting for material to be used from the rate setting **MATRIX** included with spreader.

- Move stop bolt on rate gauge assembly to proper setting (Edge of lever closest to (30) is the setting edge).
- Plug in the two way plug on motor to the plug on wire assembly.
- Plug in cigarette plug.
- Turn switch to the ON position.
- While driving forward, pull rope to open shut-off plate on spreader.
- To stop, release rope and turn switch to OFF position.
- When finished, empty any remaining material from hopper.
- No oiling is necessary

EarthWay **EV-N-SPRED** **GT**

ASSEMBLY and OPERATING INSTRUCTIONS for EarthWay Ev-N-Spred® M21 Series 12-volt Broadcast Spreader



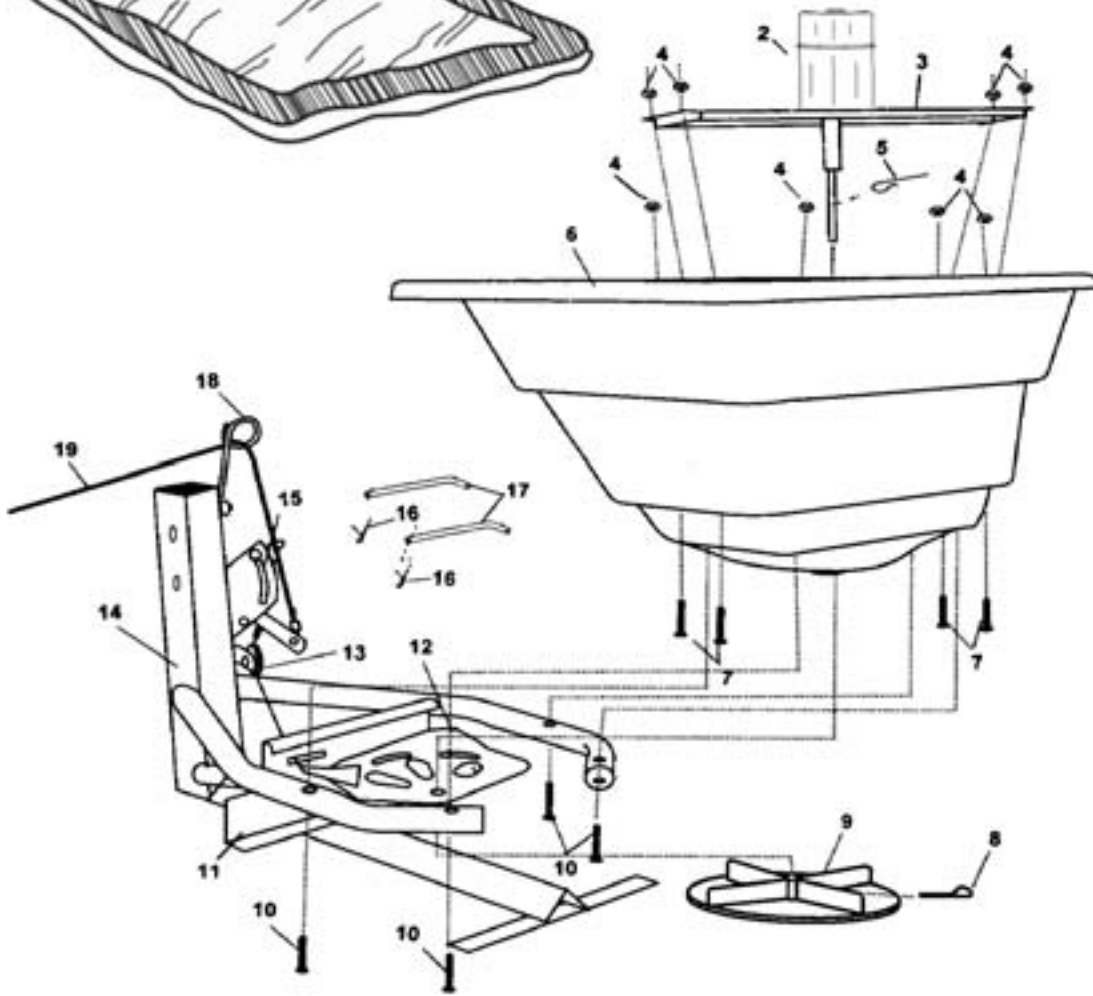
The settings furnished on the Rate Setting Chart are intended as a guide only. Variations in physical characteristics of material applied, walking speed, and roughness of ground surface may require slightly different spreader settings. Due to the above conditions, EARTHWAY PRODUCTS, INC. makes no warranty as to the uniformity of coverage actually obtained from the settings listed.



EarthWay®

Products, Inc.

P.O. Box 547
 Bristol, Indiana 46507
 (574) 848-7491
 www.earthway.com



M21 Series Professional 100lb 12-volt Broadcast, mounts required (rev 12/04)

Key #	Part #	Description	Key #	Part #	Description
1	77002	Heavy Duty Rain Cover	15	60276	Gauge & Lever Assembly Stainless
2	77102	Electric Motor	16	33111	Hair Pin Clip
3	60328	Motor Support Assembly Painted	17	44273	Hitch Pin
3	60330	Motor Support Assembly Stainless	18	70173	Rope Loop
4	36300	1/4 - 20 Nylon Insert Locknut	19	60280	Rope Assembly
5	33117	Agitator	OPTIONAL ACCESSORIES		
6	13144	Hopper	60510	Wire Harness Assembly Truck Mount	
7	N/A	1/4 - 20 x 3/4 Bolt	12200	Extension Rope Truck Mount	
8	N/A	1/8" x 1 1/4" Cotter Pin	21550	Truck Mount Hitch	
9	12109	Impellor	60511	Wire Harness Assembly Universal Mount	
10	N/A	1/4 - 20 x 1 1/2" Pan Head Phillips Machine Screw	21551	Universal Mount Hitch	
11	12306	Deflector	77011	Universal Mount Kit, Includes #23 & #24	
12	60243	Shut-off Plate Assembly	77010	Truck Mount Kit, Includes #20, #21 & #22	
13	19145	Pulley	77012	Category "0" 3 Point Hitch Mount Kit	
14	60275	Frame Assembly Stainless	77013	John Deere Gator Mount Kit	
14	60329	Frame Assembly Painted	77009	Motor Speed Control Assembly	
15	60247	Gauge & Lever Assembly Painted	N/A = Available at local hardware stores		

WARRANTY

EARTHWAY guarantees this product to be free of defects in original workmanship and materials for a period of 90-days from sale to the original user. If any defect develops during this period EARTHWAY will repair or replace this product at no charge provided the defect is not the result of mishandling or tampering and that this product is received at the factory with shipping charges prepaid. For quicker service you may call EARTHWAY at 574-848-7491 or write and describe the nature of the defect and we will send repair parts to you. Due to the corrosive nature of most fertilizers and ice melters, EARTHWAY PRODUCTS, INC. makes no warranty or guarantee against corrosion failure on models with plated steel or painted steel frames. Clean your spreader well after each use. Warranty covers parts only, but not labor charges.