

2050 Series Salt Deflector Kit #77122

EarthWay™

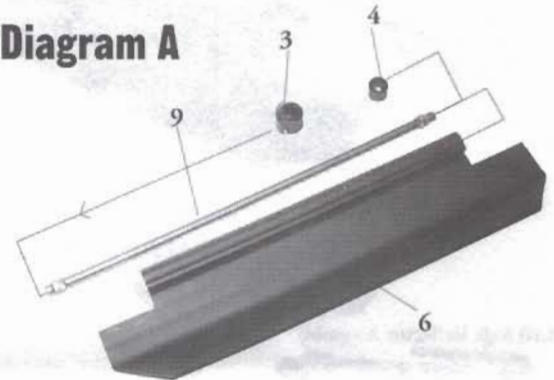
EarthWay Products, Inc.
PO Box 547 - Bristol, IN 46507
Ph. (574) 848-7491
www.EarthWay.com

Assembly and Installation Instructions

1. Locate all parts listed in diagram "A"
2. Insert #9 Front Deflector Rod into #6 Front Deflector.
3. Place #3 Deflector Cam with slot facing to the outside to either end of #9 Deflector Rod.
4. Place #4 Deflector Spacer to other end of #9 Deflector Rod.
5. Take Front Deflector Assembly and insert each end of #9 Deflector Rod into #1 Deflector Corners.
6. Tighten #7 Pan Head Philips Screw in #1 Deflector Corner. Completing the Deflector assembly.

Note: All Deflector lower edges taper to the inside of the assembly as shown in diagram "B"

Diagram A



Installation

Mark hole location inside of hopper using drill template at the bottom of this page, starting on the operator's left rear, then flip this page over and mark the operator's right rear location. Using a 1/4" Drill (not provided) drill 4 holes in the bottom ledge of the hopper as shown in Diagram "C". Place Bevel Washer #12 on each 1/4" stud on Right and Left Side Deflector assembly. From the bottom of the spreader, push the Deflector Assembly up through the drilled holes in the hopper and secure to the hopper using #13 Hex Nut and tighten.

Diagram B



Diagram C

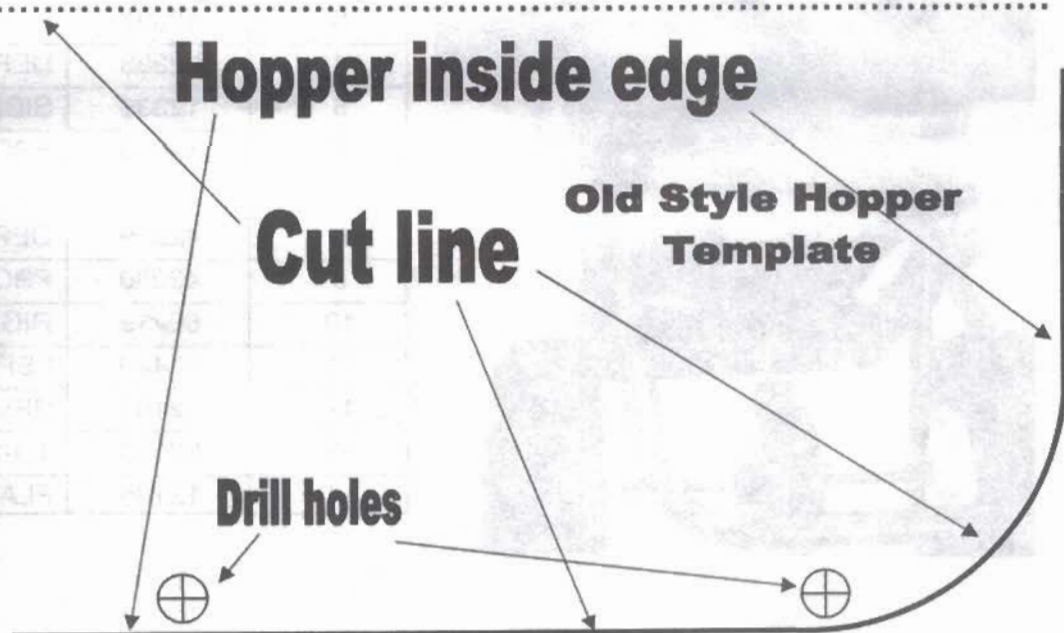


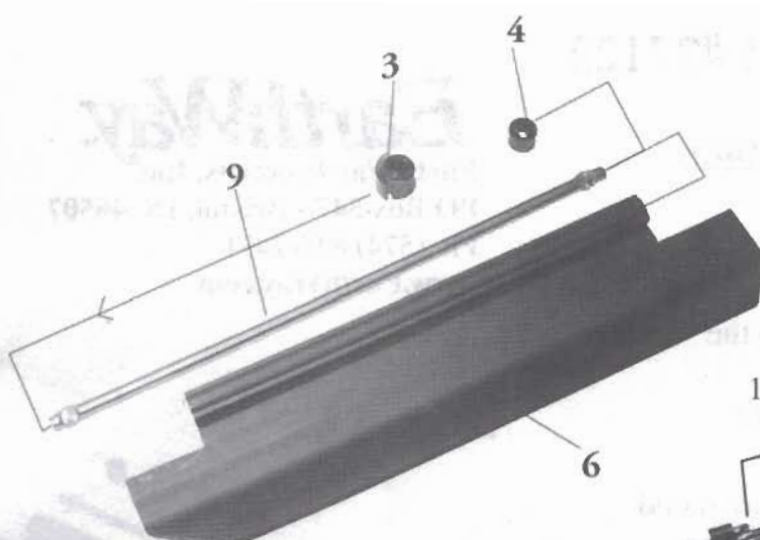
Hopper inside edge

Cut line

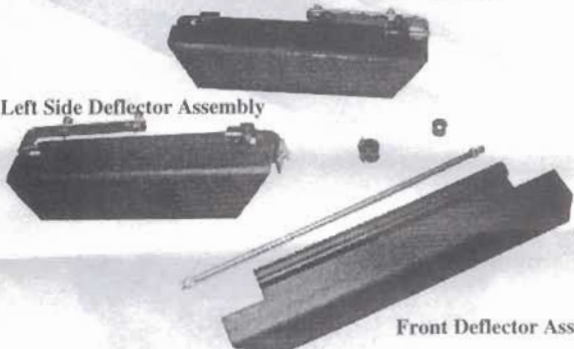
Old Style Hopper Template

Drill holes





Right Side Deflector Assembly

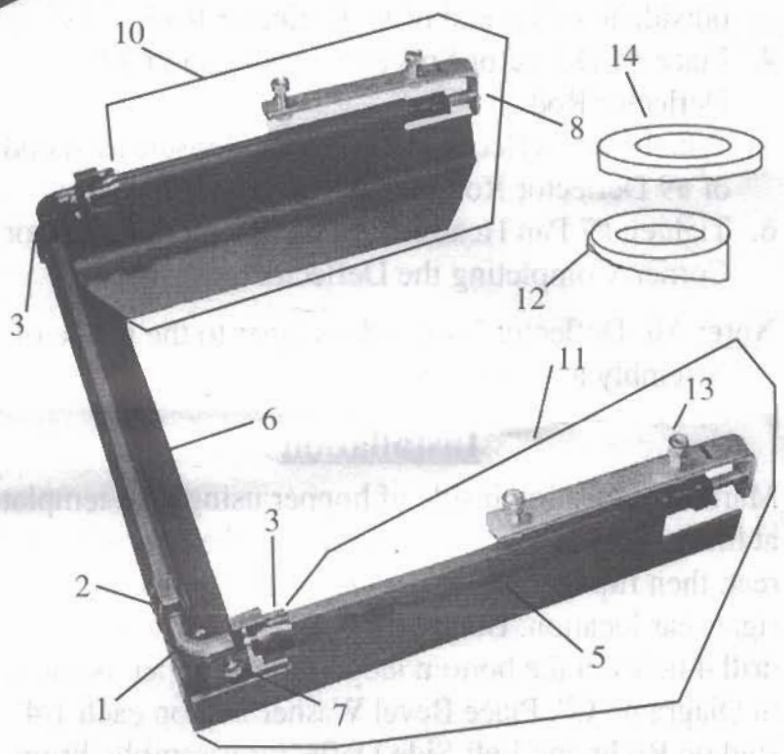


Left Side Deflector Assembly

Front Deflector Assembly



#12 and #14
are no longer
required



Parts List #77122 Deflector Kit

Key No.	Part No.	Description
1	12335	DEFLECTOR CORNER
2	12336	DEFLECTOR STOP
3	12337	DEFLECTOR CAM
4	12338	DEFLECTOR SPACER
5	12339	SIDE DEFLECTOR (2050) 11"
6	12340	FRONT DEFLECTOR (2050) 14"
7	31124	#10 X 5/8 TYPE A PHPS ZINC
8	42279	DEFLECTOR BRKT. 7 ROD (2050)
9	42280	FRONT DEFLECTOR ROD (2050)
10	60419	RIGHT DEFLECTOR ASS'Y (2050)
11	60420	LEFT DEFLECTOR ASS'Y (2050)
12	12162	BEVEL WASHER
13	32100	1/4-20 HEX NUT ZINC
14	12165	FLAT WASHER