

Commercial/Professional

Salt Deflector Kit #60166R

Earth Way™

EarthWay Products, Inc.
PO Box 547 Bristol, IN 46507
Ph. (574) 848-7491
www.EarthWay.com

Assembly and Installation Instructions

1. Locate all parts listed in Fig. 1
2. Insert #9 Front Deflector Rod into #6 Front Deflector.
3. Place #3 Deflector Cam with slot facing to the outside to either end of #9 Deflector Rod.
4. Place #4 Deflector Spacer to other end of #9 Deflector Rod
5. Take Front Deflector Assembly and insert each end of #9 Deflector Rod into #1 Deflector Corners
6. Tighten #7 Pan Head Philips Screw in #1 Deflector Corner, completing the Deflector assembly.

Note: All Deflector lower edges taper to the inside of the assembly as shown in Fig. 2

Installation on spreader

Remove bolt from lower handle and frame as shown in Fig. 3 from each side of spreader. Slide deflector assembly from front to back of the spreader resting arms #10 and #11 over holes in lower handle. Install new bolts included in hardware pack. Tighten lock nut completely.

Fig. 1

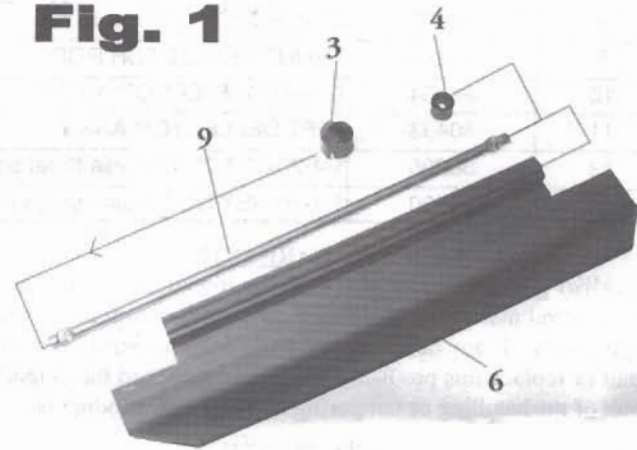


Fig. 2

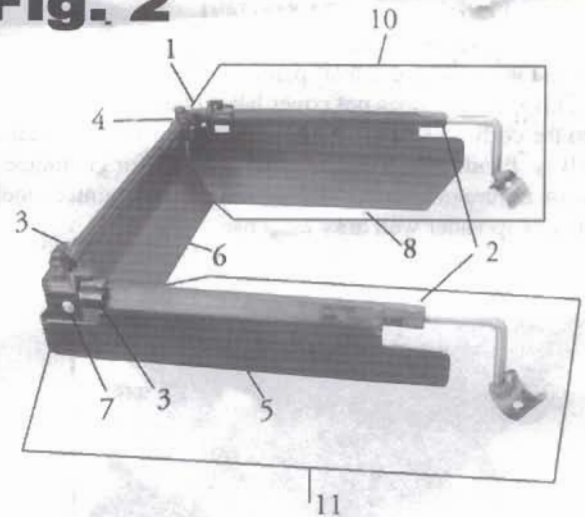


Fig. 3



Fig. 3



Parts List #60166R Deflector Kit

Key No.	Part No.	Description
1	12335	DEFLECTOR CORNER
2	12336	DEFLECTOR STOP
3	12337	DEFLECTOR CAM
4	12338	DEFLECTOR SPACER
5	12339	SIDE DEFLECTOR 11"
6	12340	FRONT DEFLECTOR 14"
7	31124	#10 X 5/8 TYPE A PHPS ZINC"
8	42279	DEFLECTOR BRKT.& ROD
9	42280	FRONT DEFLECTOR ROD
10	60434	RIGHT DEFLECTOR ASS'Y
11	60433	LEFT DEFLECTOR ASS'Y
12	36205	1/4-20x 2-1/2" Stainless Steel bolt
13	36300	1/4-20 HEX NUT Stainless Steel

WARRANTY

EarthWay guarantees this product to be free of defects in original workmanship and materials for a period of **90-days** from the date of sale to the original user. If any defect develops during this period EarthWay will repair or replace this product at no charge provided the defect is not the result of mishandling or tampering and that this product is received at the factory with shipping charges paid. Proof of purchase must be included. For quicker service you may call EarthWay at **574-848-7491** or write and describe the nature of the defect and we will send repair parts to you. This warranty does not cover labor charges. Due to the corrosive nature of most fertilizers and ice melters, EarthWay Products, Inc. makes no warranty or guarantee against corrosion failure on models with plated steel or painted steel frames. Clean your spreader well after each use.



EarthWay™

EarthWay Products, Inc.
 PO Box 547 Bristol, IN 46507
 Ph. (574) 848-7491
www.EarthWay.com