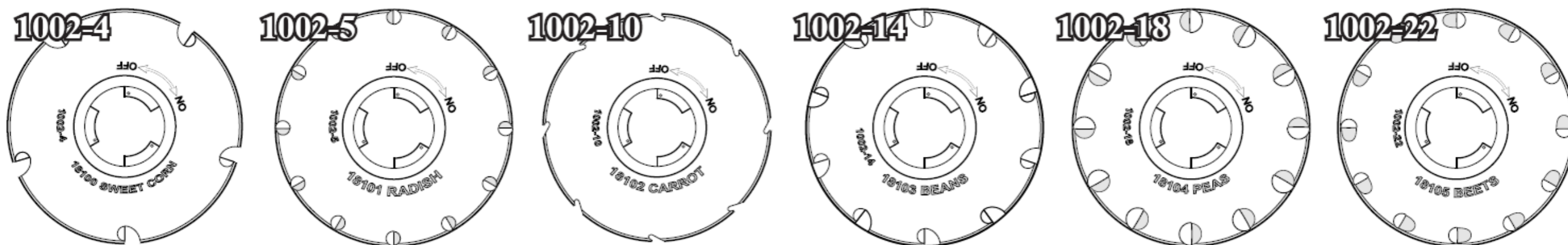


STANDARD SEED PLATES

Pt. #60009

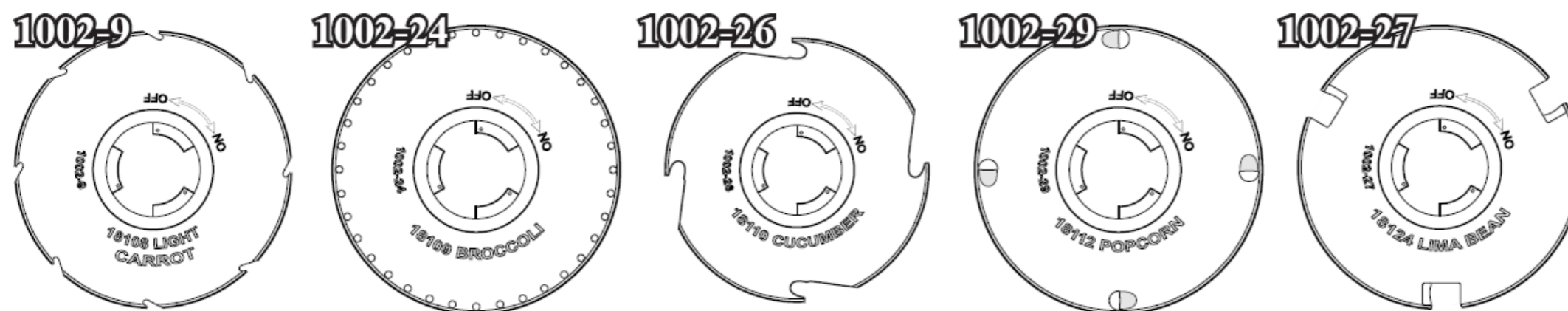


18100 Sweet Corn	18101 Radish	18102 Carrot	18103 Beans	18104 Peas	18105 Beet
7.2" Spacing / 18.3 cm	3" Spacing / 7.6 cm	4.5" Spacing / 11.4 cm	3.6" Spacing / 9.1 cm	3" Spacing / 7.6 cm	3.6" Spacing / 9.1 cm
Will plant most varieties of sweet corn as well as some other larger seed types.	Will plant some leek, asparagus, spinach and other fine seeds	Will plant some lettuce, turnip, endive, cabbage, onions, tomatoes, and other fine seeds	Will plant some small peas	Will plant some Jumbo and Early June Peas	Will plant some Okra, Swiss Chard, and other medium seeds

TIP: You can adjust the spacing of the seeds by covering one or more holes in the seed plate with bees wax.

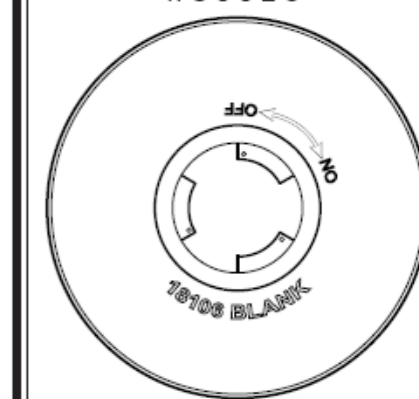
OPTIONAL SEED PLATES

Pt. #60010



18108 Light Carrot	18109 Broccoli	18110 Cucumber	18112 Popcorn	18124 Lima Bean
4.5" Spacing / 11.4 cm	1" Spacing / 2.5 cm	9" Spacing / 22.9 cm	9" Spacing / 22.9 cm	12" Spacing / 30.5 cm
Will plant light lettuce, turnip, rutabaga, light cabbage, mustard, kale, and other fine seeds	Will plant mustard, cabbage, cauliflower, turnip, rutabaga, and other fine seeds	Will plant some pumpkin, gourds, squash, and other flat seeds	Will plant medium sized seeds of a size less than 0.25" or 6.3 mm in diameter	Will plant peanuts and other large seeds

NOT INCLUDED IN #60010



18106 BLANK PLATE

The blank seed plate allows you to make a custom seed plate with spacing and seed size that you determine.

NOT INCLUDED IN OPTIONAL SET